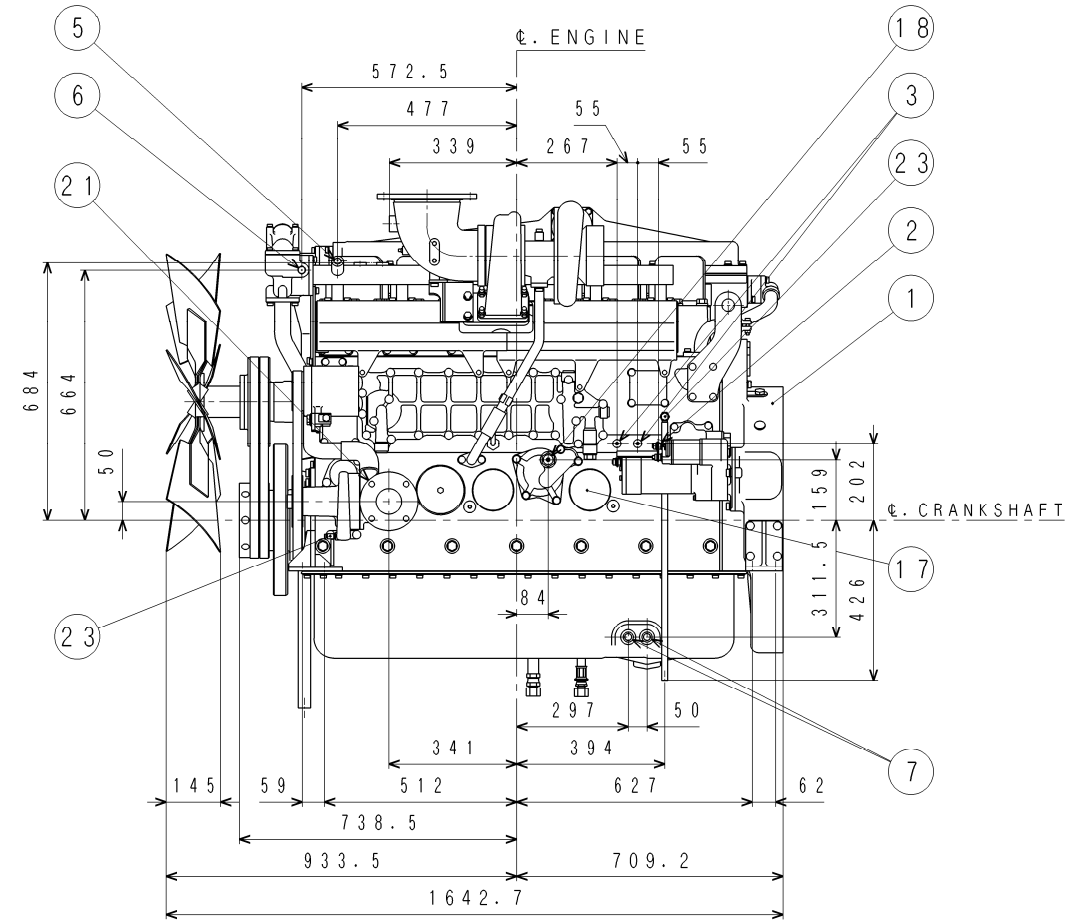
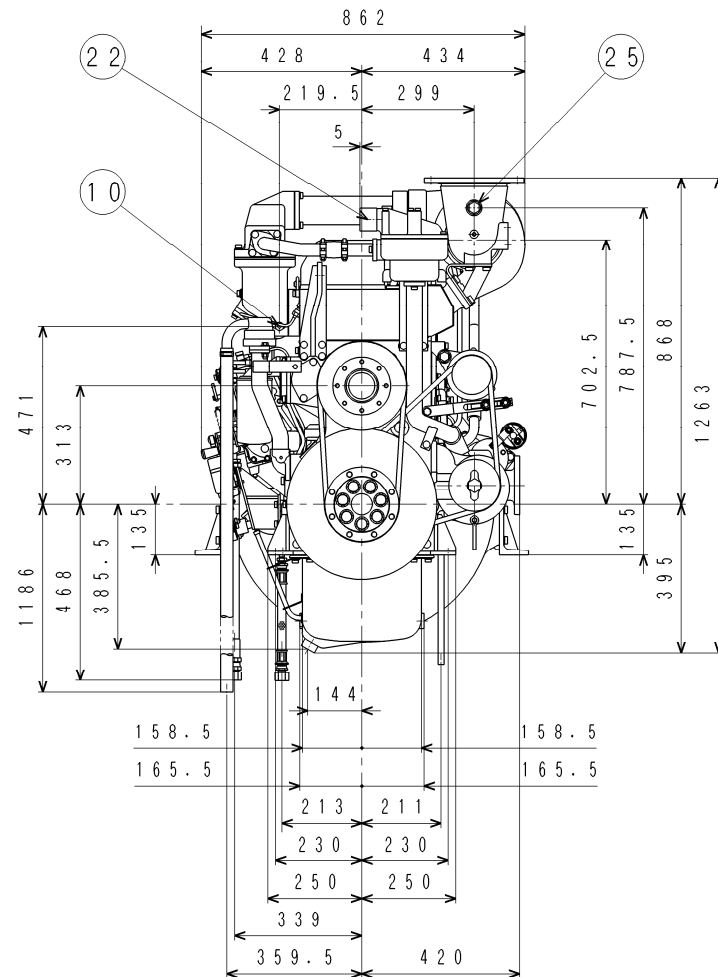
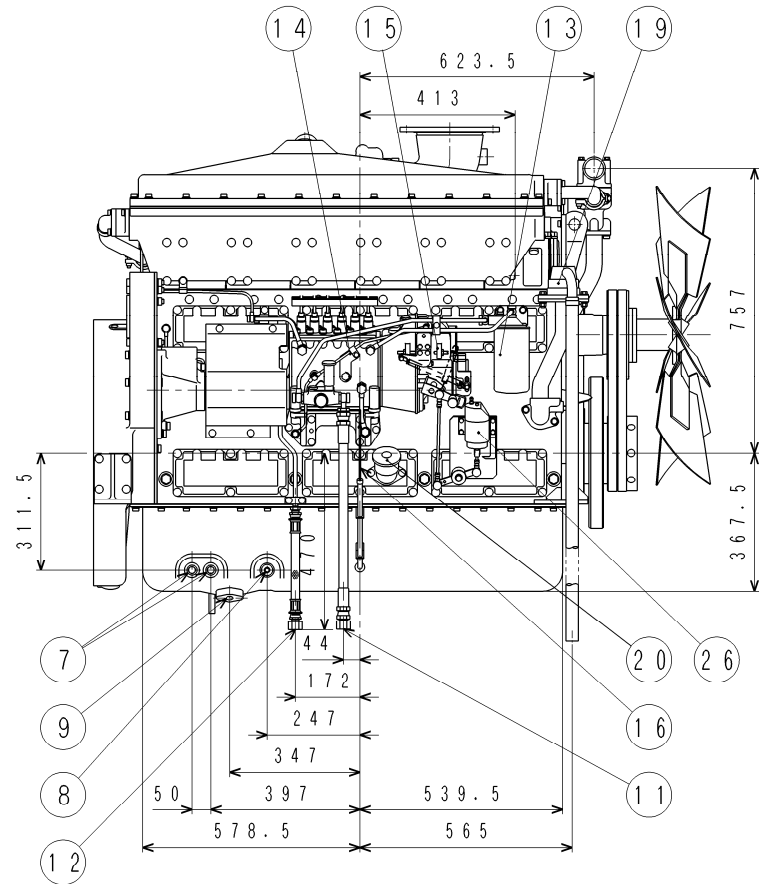
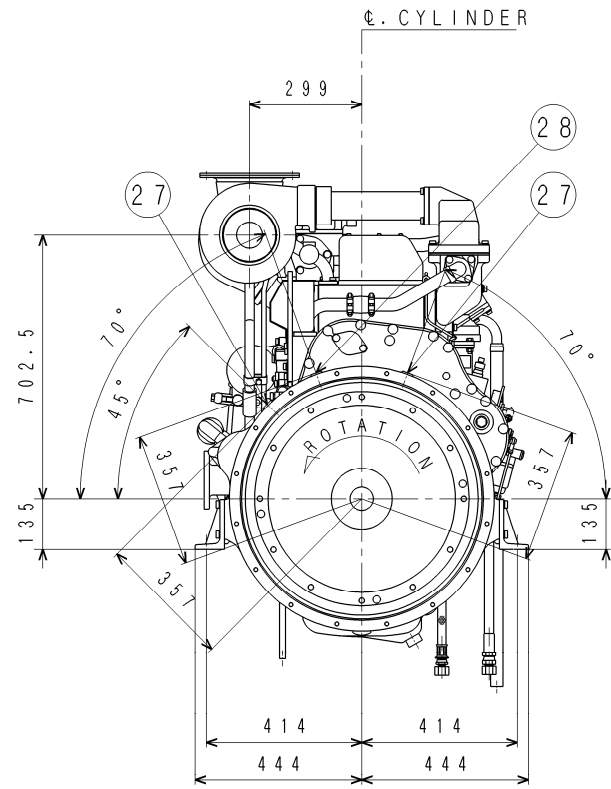
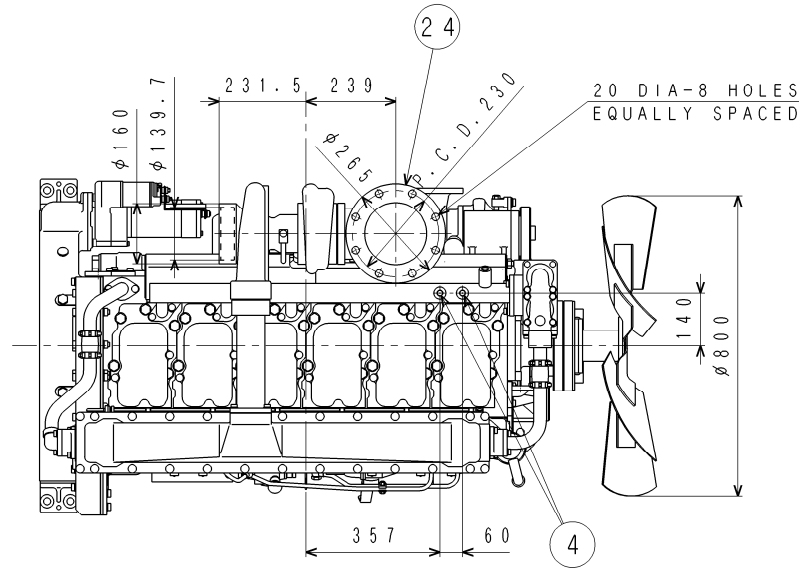


| NO. | PARTS NAME | SIZE | REFERENCE |
|-----|----------------------------|-----------|-------------|
| 1 | FLYWHEEL & HOUSING | | 34A96-21001 |
| 2 | OIL PRESS. GAGE UNIT JOINT | Rc1/8 | 34A96-01011 |
| 3 | OIL PRESS. SWITCH JOINT | Rc1/8 | |
| 4 | THERMOSWICH JOINT | M16x1.5 | |
| 5 | THERMOSWICH JOINT | Rc1/2 | |
| 6 | THERMOMETER UNIT JOINT | Rc1/2 | |
| 7 | OIL PAN (A) JOINT | M20x1.5 | |
| 8 | OIL PAN (B) JOINT | M16x1.5 | |
| 9 | OIL PAN (C) JOINT | | |
| 10 | AIR PRESS. GAGE JOINT | Rc1/8 | |
| 11 | FUEL INLET PIPE JOINT | Rc1/2 | |
| 12 | FUEL RETURN PIPE JOINT | Rc1/2 | 34A96-01011 |
| 13 | FUEL FILTER | | |
| 14 | FUEL INJECTION PUMP | | |
| 15 | GOVERNOR | | |
| 16 | OIL LEVEL GAGE | | |
| 17 | OIL FILTER | | |
| 18 | OIL BY-PASS ALARM SWITCH | | 34A96-01011 |
| 19 | BREATHER | | |
| 20 | OIL FILLER | | |
| 21 | WATER INLET PIPE JOINT | 65A | 34A96-01011 |
| 22 | WATER OUTLET PIPE JOINT | φ60.5 | 34A96-01011 |
| 23 | WATER DRAIN COCK | | |
| 24 | EXHAUST GAS FLANGE | 150A | |
| 25 | THERMOMETER, EX. JOINT | G3/4 | 34A96-01011 |
| 26 | STOP SOLENOID | | |
| 27 | PICKUP JOINT | UNF5/8-18 | 34A96-01011 |
| 28 | PICKUP JOINT | M18x1.5 | 34A96-01011 |



(2)三菱TD10L-40V(34)ターボ装。
 注記 (1)本図は、予備発電装置用(非発)S6B3-PTA/ファン付の標準単体外観図である。

| | | |
|-----------|----------|------|
| 4590-9996 | '03.6.23 | 福田 |
| 4590-4712 | '98.11.3 | 福田 |
| CHG | EO-NO | DATE |
| CHK | CHK | CHK |
| 仁尾 | 松 | 福 |
| 尾 | 下 | 田 |

S6B3-PTA(CM-BR)
 DIESEL ENGINE
 三菱重工業株式会社汎用機・特車事業本部
 MITSUBISHI HEAVY INDUSTRIES, LTD. GENERAL MACHINERY & SPECIAL VEHICLE DEPARTMENTS.
 図面番号 34A96-00211
 DRAWING NO.

3 新 回 4 (2) 相 立 図 1 2 詳 細 図 3 概 金 添 付 品 4 組 立 品
 5 他 引 図 6 A 1 1 組 立 図 1 5 切 削 品 6 其 他 (購 入 品)

旧引
 汎特
 2003
 7.4

FULL-CAD