

S4S-Z3DT61SD
PART No.301010 97501
MITSUBISHI

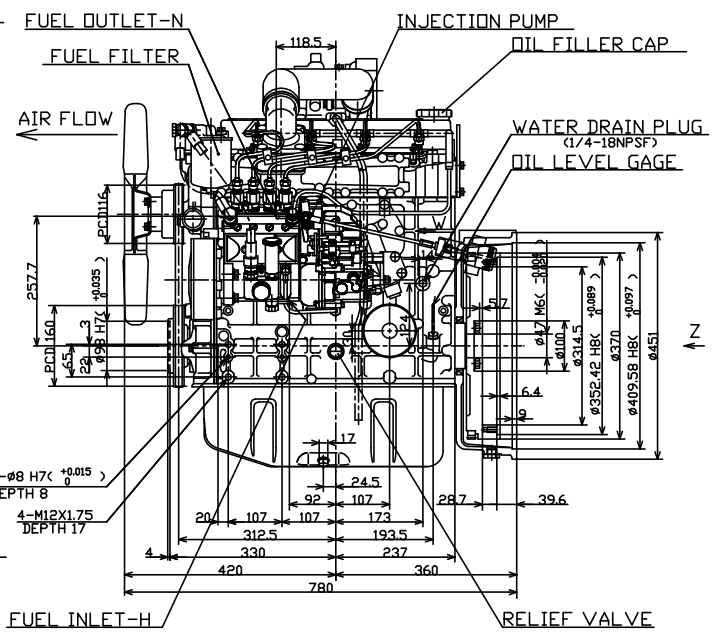
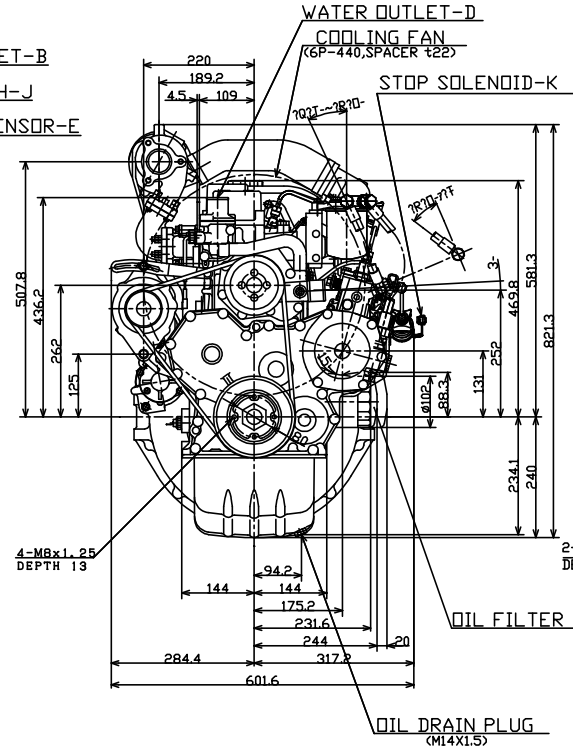
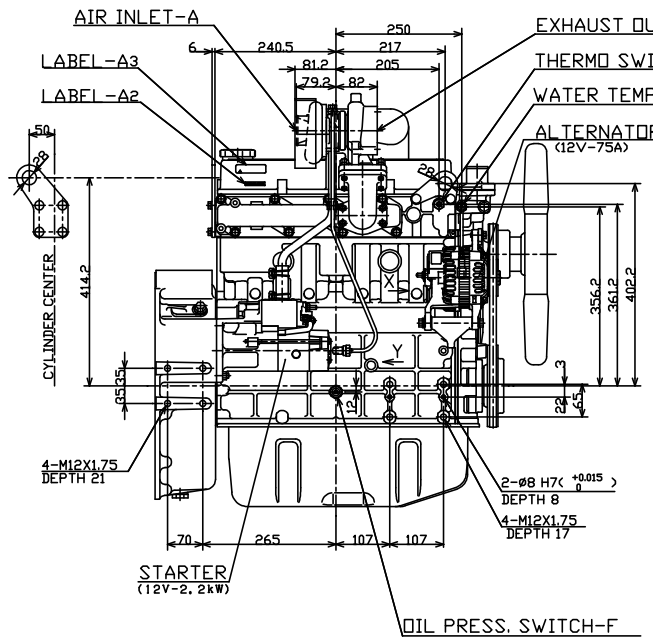
MADE IN JAPAN

A1-DETAIL (1:1)

A2-DETAIL (1:1)

ENGINE TYPE S4S-PT-DG 360W-A1
WATER OUTPUT S4S-PT-DG 360W-A1
ENGINE PART NO. S4S-ZTT61SD
EQ. TYPE-APPROVAL NO.
40301/040302/040303/040304

A3-DETAIL (1:1)



FOR SDMO

S4S-Z3DT61SD ENG ASSY			
三菱重工業株式会社汎用機・特庫事業?部 MITSUBISHI ENGINEERING CO., LTD. GENERAL ENGINEERING DEPT. TOKYO HEADQUARTERS			
DATE	CHK	DATE	CHK
18.11.20	MENDO	18.11.20	CHSHD
	K. SAWAZAKI		T. HARADA
	T. IBE		K. TAGAMI
?面番号		32A00-07310	
DRAWING NO.		2010.11.20	
0	1	2	3
4	5	6	7

FULL-CAD